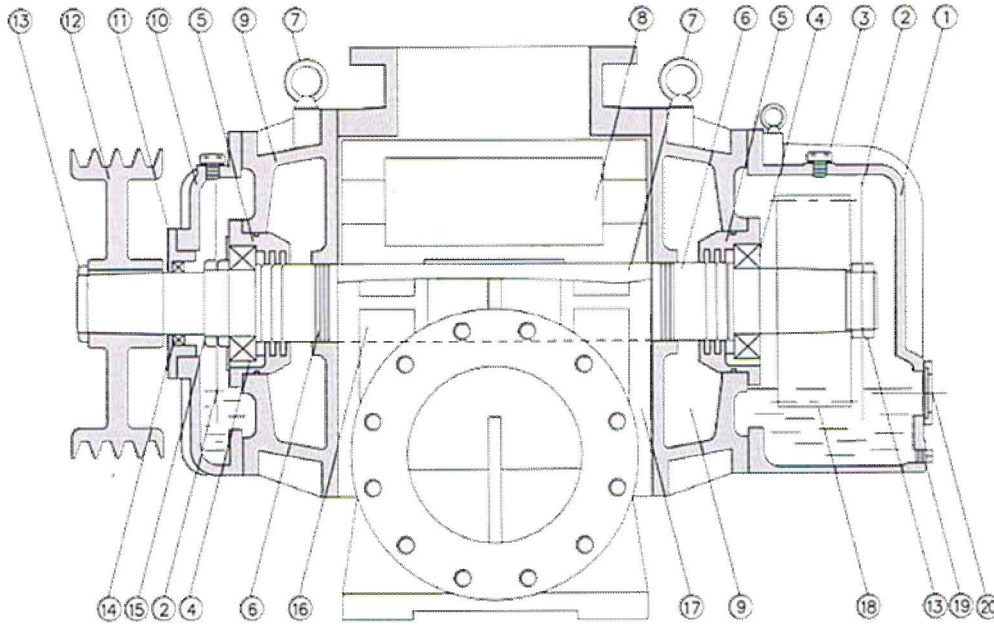
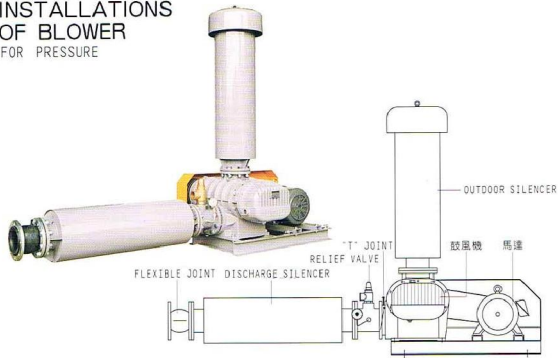


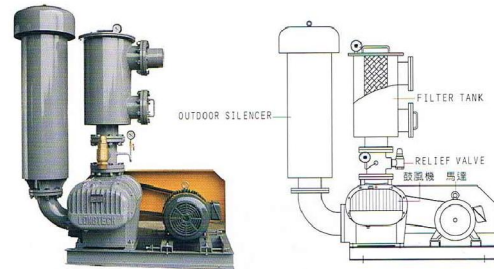
ROTARY ROOT BLOWER



INSTALLATIONS
OF BLOWER
FOR PRESSURE



INSTALLATIONS
OF BLOWER
FOR VACUUM



UNITS CONVERSION FROM BLOWER

Pressure

	mbar	Pa	atm	lbf/in ²	Kgf/Cm ²	in-Hg	mmAq
1 mbar	1	10 ²	9.869x10 ⁻⁴	1.45x10 ⁻²	1.02x10 ⁻³	2.953x10 ⁻²	10.197
1 Pa	0.01	1	9.869x10 ⁻⁶	1.45x10 ⁻⁴	1.02x10 ⁻⁵	2.953x10 ⁻⁴	0.102
1 atm	1.013x10 ³	1.013x10 ⁵	1	14.7	1.033	29.92	1.013x10 ⁴
1 lbf/in ²	68.95	6.895x10 ⁻²	6.895x10 ⁻²	1	7.03x10 ⁻²	2.036	7.03x10 ²
1 kgf/cm ²	9.807x10 ²	9.807x10 ⁴	0.968	14.22	1		10 ⁴
1 in-Hg	33.86	3.386x10 ³	3.342x10 ⁻²	0.491	3.45x10 ⁻²	1	3.45x10 ²
1 mmAq	9.807x10 ⁻²	9.807	9.677x10 ⁻³	1.42x10 ⁻³	10 ⁻⁴	2.896x10 ⁻³	1

Capacity

	m ³ /min	m ³ /hr	l/min	Ft ³ /min
1 m ³ /min	1	60	1000	35.31
1 m ³ /hr	0.017	1	16.67	0.589
1 l/min	0.001	0.06	1	0.035
1 ft ³ /min	0.028	1.699	28.32	1

Power

	kg-m/sec	kW	HP	PS
1 kg-m/sec	1	0.001	0.013	0.013
1 kW	101.97	1	1.341	1.360
1 HP	76.038	0.746	1	1.014
1 PS	75	0.736	0.986	1